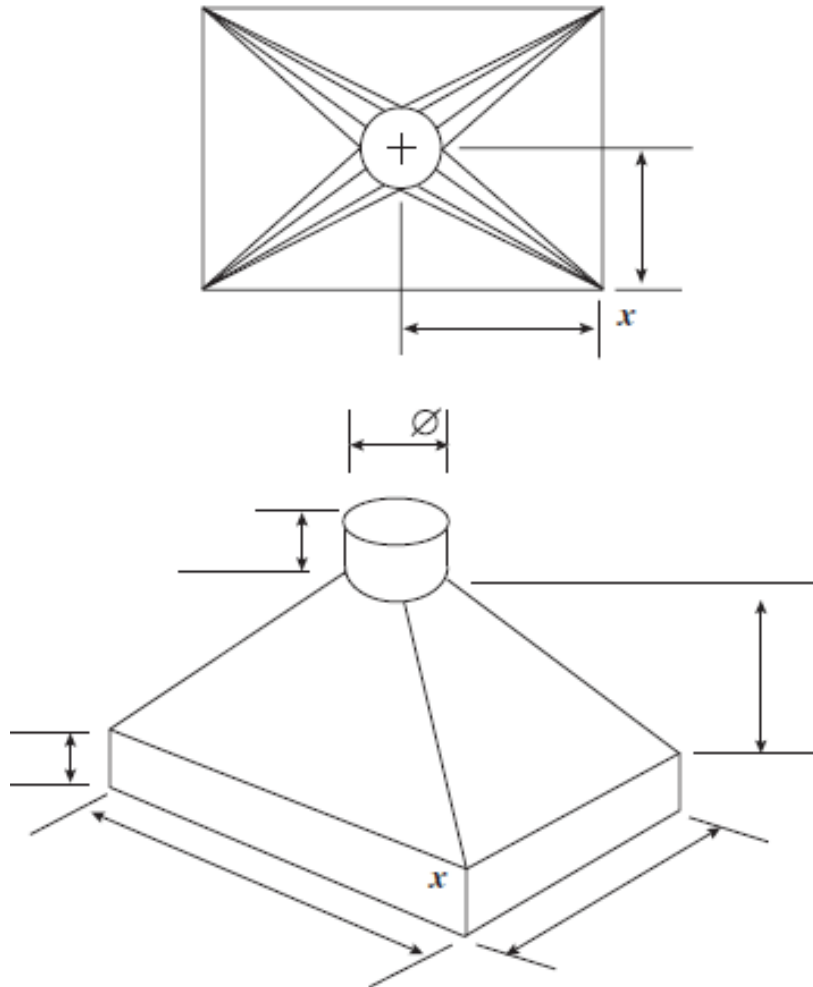


# Rectangle to Round



Photocopy this page, fill in dimensions and email it to us at [info@foleyind.co.nz](mailto:info@foleyind.co.nz)

Company:	
Order Number:	Quantity
Material:	
Thickness:	
Extra Comments:	