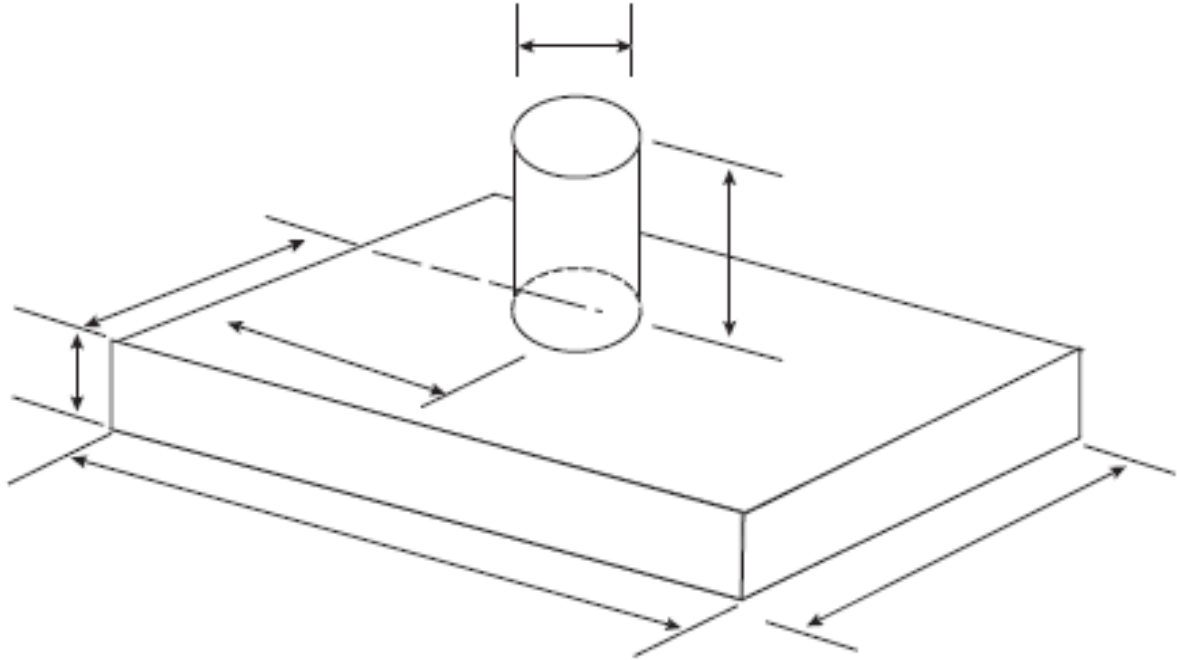




PHONE (09) 2744 766
 EMAIL info@foleyind.co.nz
orders@foleyind.co.nz
 WEB www.foleyind.co.nz

Chimney Flashing Template



Photocopy this page, fill in dimensions and email it to us at info@foleyind.co.nz

Company:	
Order Number:	Quantity
Material:	
Thickness:	
Spot Weld/Fully Welded (circle one)	
Extra Comments:	

Flashings have Cross-Brake fold by default unless otherwise requested
5deg fall quoted on request