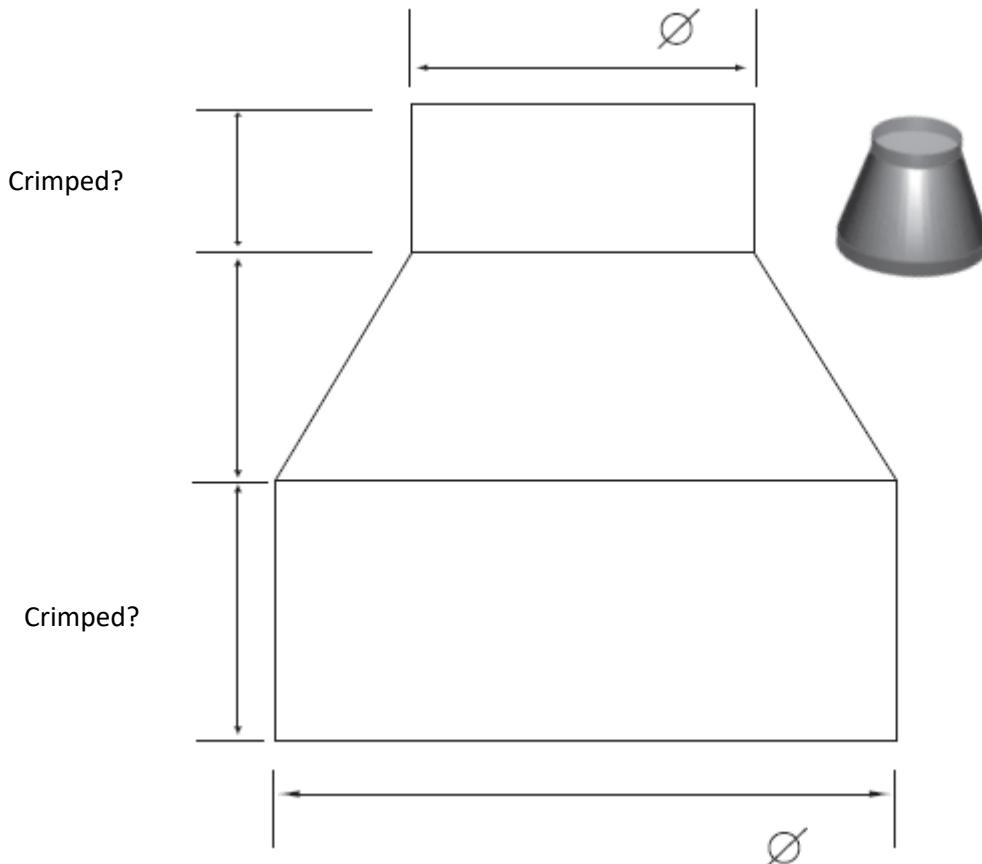




PHONE (09) 2744 766  
EMAIL [info@foleyind.co.nz](mailto:info@foleyind.co.nz)  
[orders@foleyind.co.nz](mailto:orders@foleyind.co.nz)  
WEB [www.foleyind.co.nz](http://www.foleyind.co.nz)

# Reducer/Converter



Photocopy this page, fill in dimensions and email it to us at [info@foleyind.co.nz](mailto:info@foleyind.co.nz)

Company:	
Order Number:	Quantity
Extra Comments:	